

---

# OWNER'S MANUAL

---

## **ELECTRIC CHAIN HOIST SNER SERIES**

1/4 Ton through 3 Ton Capacity

Code, Lot and Serial Number

### **⚠ WARNING**

This equipment should not be installed, operated or maintained by any person who has not read and understood all the contents of this manual. Failure to read and comply with the contents of this manual can result in serious bodily injury or death, and/or property damage.

**HARRINGTON**  
HOISTS AND CRANES

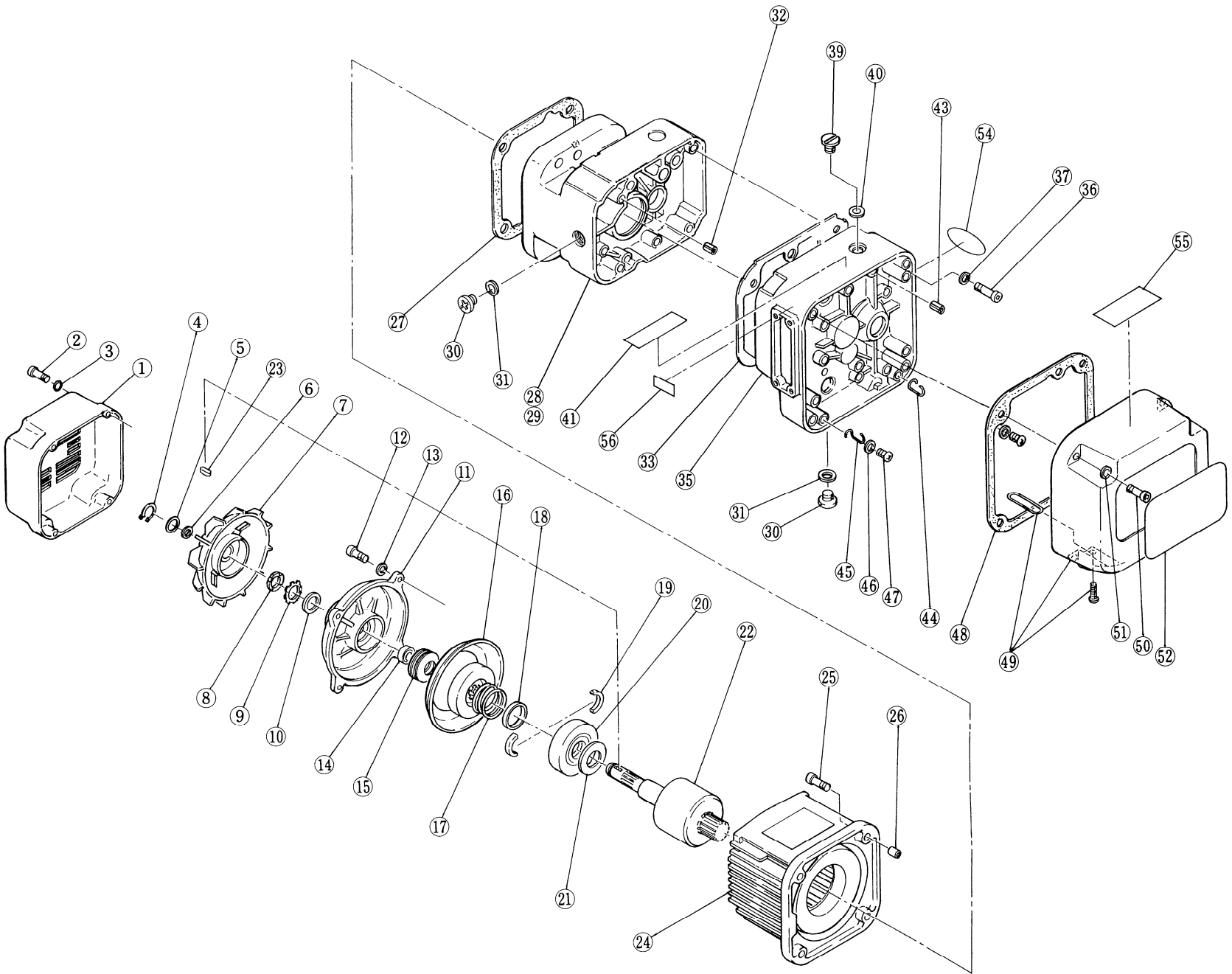


Figure 10-1 Housing and Motor Parts

Figure No.	Part Name	Parts Per Hoist	003S	005L	005S	010L	010S	020L	030C
1	Fan Cover	1	ER1BS9107		ER1CS9107			ER1DS9107	
2	Socket Bolt	4		9091233				9091255	
3	Toothed Lock Washer	4		9679708				9679709	
4	Snap Ring	1		9047115				9047118	
5	Fan Washer	1		ER1BS9322				ER1DS9322	
6	O Ring	1		9013310				9013314	
7	Fan	1	ER1BS9108		ER1CS9108			ER1DS9108	
8	Nut	1		ES217005S				ES217010S	
9	Lock Washer	1		ES218005S				ES218010S	
10	Spacer	1		ES216S005				ES216S010	
11	Motor Cover Assembly	1	ER1BS2106		ER1CS2106			ER1DS2106	
12	Socket Bolt	4	9091251		9091273			9091295	
13	Spring Washer	4	9012709		9012711			9012712	
14	Collar M	1		ES192005S				ES192010S	
15	Coned Disc Spring M	4		E3S191005S				ES191010S	
16	Brake Drum Assembly	1	ER1BS5212		EP1CS5212			ER1DS5212	
17	Brake Spring	1	ER1BB9214		EP1CS9214			EP1DS9214	
18	Thrust Collar	1	ES506003		ES506005S			ES506010S	
19	Thrust Disc	2		ES505003				ES505010S	
20	Pull Rotor	1		ES503003				ES503010S	
21	Coned Disc Spring	1		ES504003				ES504010S	
22	Motor Shaft with Rotor	1	EP1BS5502		EP1CS5502			EP1DS5502	
23	Key	1		ER1BS9320				ER1DS9320	
24	Motor Frame with Stator 115/230V-1-60	1	A1CHF03S5A1		A1CHF05S5A1			A1CHF10S5A1	
	Motor Frame with Stator – optional thermal protection 115/230V-1-60		A1CHF03S5TP		A1CHF05S5TP			A1CHF10S5TP	
25	Socket Bolt	4	90912138		9091275			9091297	
26	Set Pin S	2	ES120003		ES120010S			ER1DS9138	
27	Packing M	1	ER1BS9118		ER1CS9118			ER1DS9118	
28	Body A	1	ER1BS9100						
29	Body B	1		ER1BS9101	ER1CS9101			ER1DS9101	
30	Oil Plug	2				E3S111003			
31	Plug Packing	2				E3S112003			
32	Set Pin S	2		ES120003				ES120010S	
33	Packing G	1	ER1BS9116		ER1CS9116			ER1DS9116	
35	Gear Case F	1	ER1BS9103		ER1CS9103			ER1DS9103	
36	Socket Bolt	4		9091259				9091286	

Figure No.	Part Name	Parts Per Hoist	003S	005L	005S	010L	010S	020L	030C	
37	Toothed Lock Washer	4	9679709				9679711			
39	Oil Plug B	1	ER1BS9135							
40	Eyebolt Packing	1	ES127005S							
41	Name Plate OF	1	ER1BS9890							
43	Spring Pin	1	E3S129005S							
44	Cover Suspender A	1	ER1BS9431							
45	Cover Suspender B	1	ER1BS9432							
46	Washer	2	ER1BS9436							
47	Machine Screw with Lock Washer	2	ES650005S							
48	Packing C	1	ER1BS9117		ER1CS9117		ER1DS9117			
49	Controller Cover Assembly	1	ER1BB2104		ER1CB2104		ER1DB2104			
50	Socket Bolt	4	9091233				9091254			
51	Spring Washer	4	9012708				9012709			
52	Name Plate B	1	A1CHF03S9A3	A1CHF05L9A3	A1CHF05S9A3	A1CHF10L9A3	A1CHF10S9A3	A1CHF20L9A3	A1CHF30R9A3	
54	Name Plate AD	1	ER1BS9868	ER1BL9868	ER1BS9868	ER1BL9868	ER1BS9868	ER1BL9868	ER1DR9868	
55	Warning Label EE	1	E2D866125							
56	Name Plate AE	1	EP1BS9896							

**This Page Intentionally Left Blank**

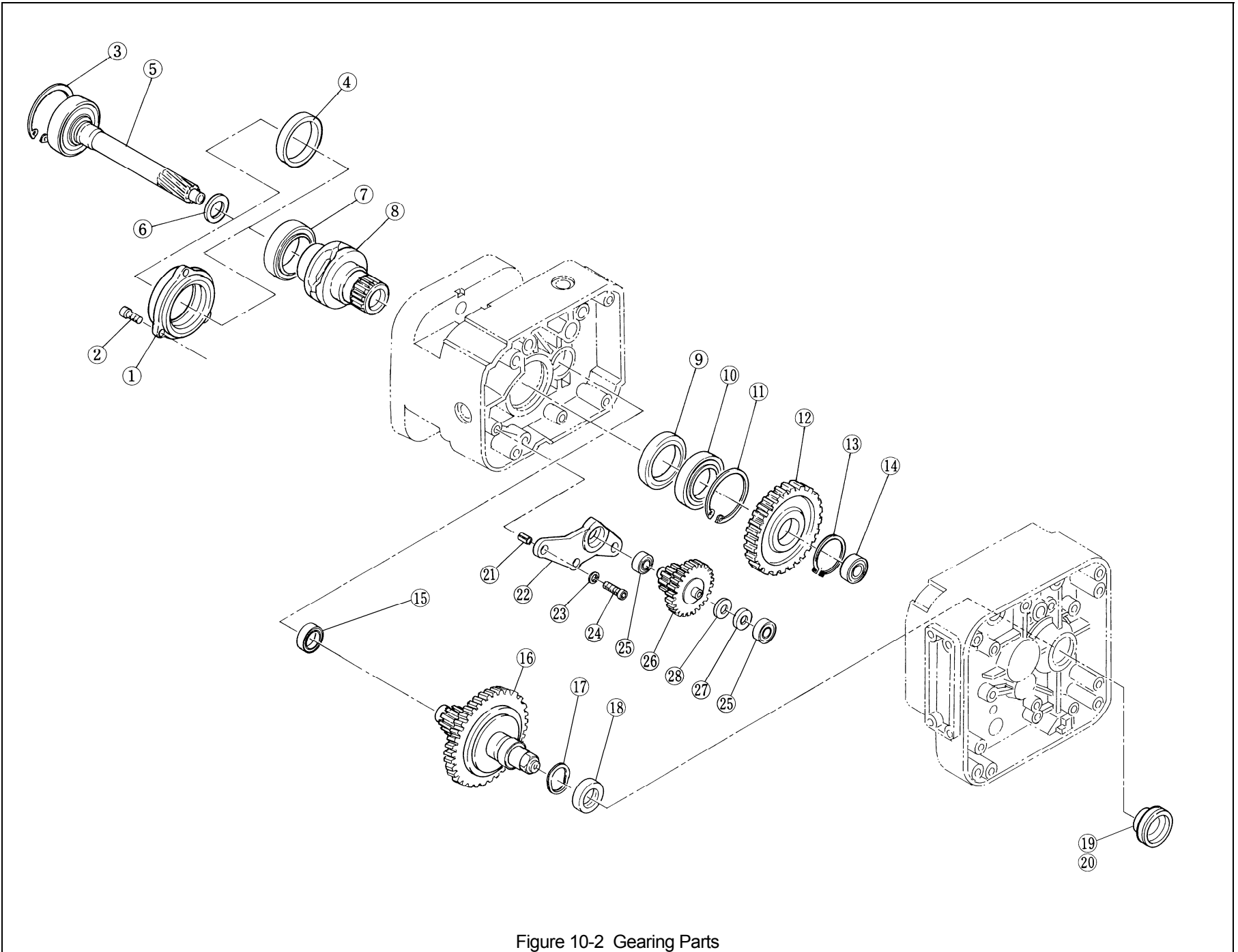


Figure 10-2 Gearing Parts

Figure No.	Part Name	Parts Per Hoist	003S	005L	005S	010L	010S	020L	030C
1	Bearing Holder	1			ER1CS9110			ER1DS9110	
2	Socket Bolt	3			90912133			9091220	
3	Snap Ring	1	9047262		9047262			9047275	
4	Collar B	1	ER1BS9111						
5	Pinion Assembly	1	ER1BS5220		ER1CS5220			ER1DS5220	
6	Oil Seal	1	ES221003				ES221010S		
7	Ball Bearing	1	9000507		9000509			9000609	
8	Load Sheave	1	ER1BS9241	ER1BL9241	ER1CS9241	ER1CL9241	ER1DS9241		ER1DL9241
9	Oil Seal	1		ES232005S				ER1DS9244	
10	Ball Bearing	1		9000107				9000109	
11	Snap Ring	1		9047262				9047275	
12	Load Gear	1	ER1BL9240		ER1CS9240		ER1DS9240		ER1DE9240
13	Snap Ring	1	9047130		9047135			9047145	
14	Ball Bearing	1	9000201		9000301			9000303	
15	Ball Bearing	1	9000301		9000204			9000404	
16	Friction Clutch Set	1	ER1BB1223	ER1BC1223	ER1CB1223	ER1CC1223	ER1DB1223	ER1DC1223	ER1DE1223
17	Wavy Washer	1	ER1BS9234		ER1CS9234			ER1DS9234	
18	Oil Seal	1	ES221005S		E6F235003S			ER1DS9233	
19	Friction Plug	1	ER1BS9235		ER1CS9235			ER1DS9235	
20	Nameplate FP	1			ER1BS9892				
21	Set Pin S	2			ES120003			ES120010S	
22	Gear Plate	1		ER1BC9261		ER1CL9261		ER1DL9261	
23	Spring Washer	3			9012709			9012711	
24	Socket Bolt	3			90912138			9091275	
25	Ball Bearing (Needle Bearing for 005L)	2		ER1BC9265		9000100		9000201	
26	Gear B Assembly	1		ER1BC5262	ER1CL5262	ER1CC5262	ER1DL5262		ER1DC5262
27	Thrust Needle Bearing	1		ER1BC9268					
28	Thrust Plate	1		ER1BC9269					

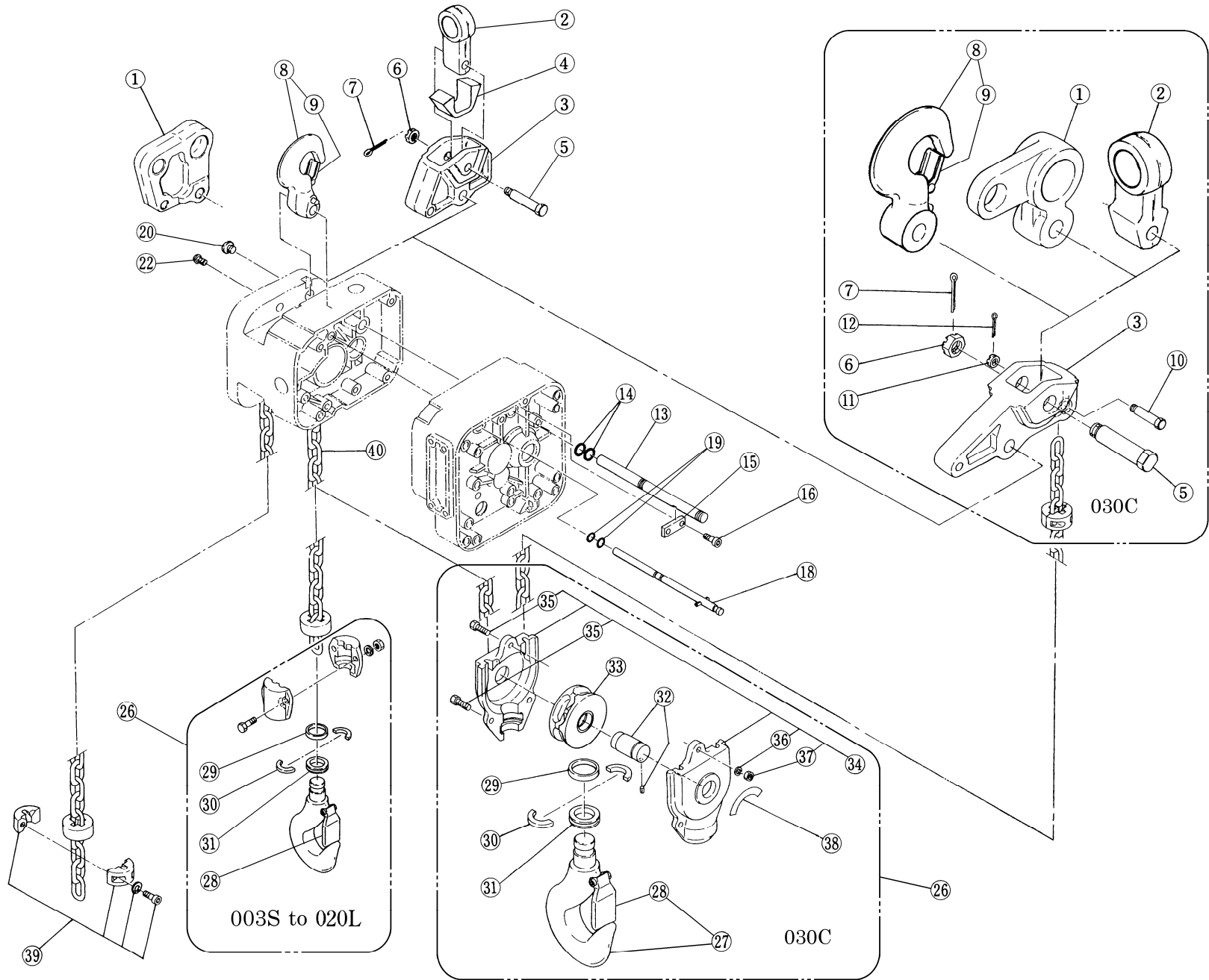


Figure 10-3 Hook Parts



Figure No.	Part Name	Parts Per Hoist	003S	005L	005S	010L	010S	020L	030C	
1	Suspender T (for SMR Motorized Trolley)	1	ER1BS9031		ER1CS9031		ER1DS9031	ER1DL9031	ER1DR9031	
2	Suspender G (for Motorized Trolley)	1	MR1DS9001						MR1ES9001	MR1FS9001
	Suspender E (for Geared Trolley)	1	T7GB004010						T7GB004020	T7GB004030
	Suspender E (for Push Trolley)	1	T7GB004005			T7GB004010			T7GB004020	T7GB004030
3	Connection Yoke	1	ER1BS9029		ER1CS9029		ER1DS9029	ER1DL9029	ER1DR9030	
4	Connection Yoke Rubber	1	ER1BS9028						ER1DL9028	
5	Yoke Bolt	1	ER1CS9032						ER1ES9032	
6	Slotted Nut	1	L3183008						ES088020L	
7	Split Pin	1	90094145						9009436	
8	Top Hook Assembly	1	ER1BS1001	ER1BL1001	ER1CS1001	ER1CL1001	ER1DS1001	ER1DL1001	ER1DR1001	
9	Hook Latch Assembly	1	ER1BS1002			ER1DS1002		ER1ES1002	ER1FS1002	
10	Chain Pin	1							ES041030	
11	Slotted Nut	1							M2049020	
12	Split Pin	1							9009413	
13	Connection Shaft	1	ER1BS9121		ER1CS9121		ER1DS9121			
14	O Ring	2	9013306		9013309		9013313			
15	Plate A	1	ER1BS9123				ER1DS9123			
16	Machine Screw with Spring Washer	2	M6F554010							
18	Fixing Shaft Assembly	1	ER1BS1122		ER1CS1122		ER1DS1122			
19	O Ring	2	9013305				9013307			
20	Shaft Plug	1	ER1BS9128		ER1CS9128		ER1DS9128			
22	Machine Screw	1	9798543							

Figure No.	Part Name	Parts Per Hoist	003S	005L	005S	010L	010S	020L	030C
26	Bottom Hook Complete Set	1	ER1BS1011	ER1CS1011		ER1DS1011		ER1ES1011	ER1DR1011
27	Bottom Hook Assembly	1							ER1FS2011
28	Hook Latch Assembly	1	ER1BS1002		ER1DS1002		ER1ES1002	ER1FS1002	
29	Thrust Collar A	1	ES026003		ES026010L		ES026015	ES026025	
30	Hook Stopper	2	ES027003		ES027010L		ES027015	ES027025	
31	Thrust Bearing	1	ES022003		ES022010L		ES022015	ES022025	
32	Bottom Shaft Assembly	1							ES5054030
33	Idle Sheave Assembly	1							ES1051030
34	Bottom Yoke Assembly	1							ES032030
35	Bolt	3							ES082025
36	Spring Washer	3							9012712
37	Nut	3							9093427
38	Name Plate C	1							M3805-030
39	Stopper Assembly	1	ES1045003	ES1045005S		ER1DS1041		ES1045015	
		2							ES1045015
40	Load Chain	1	LCER003	LCER005		LCER010		LCER020	
	Load Chain (Nickel Diffused)	1	LCER003ND	LCER005ND		LCER010ND		LCER020ND	

**This Page Intentionally Left Blank**

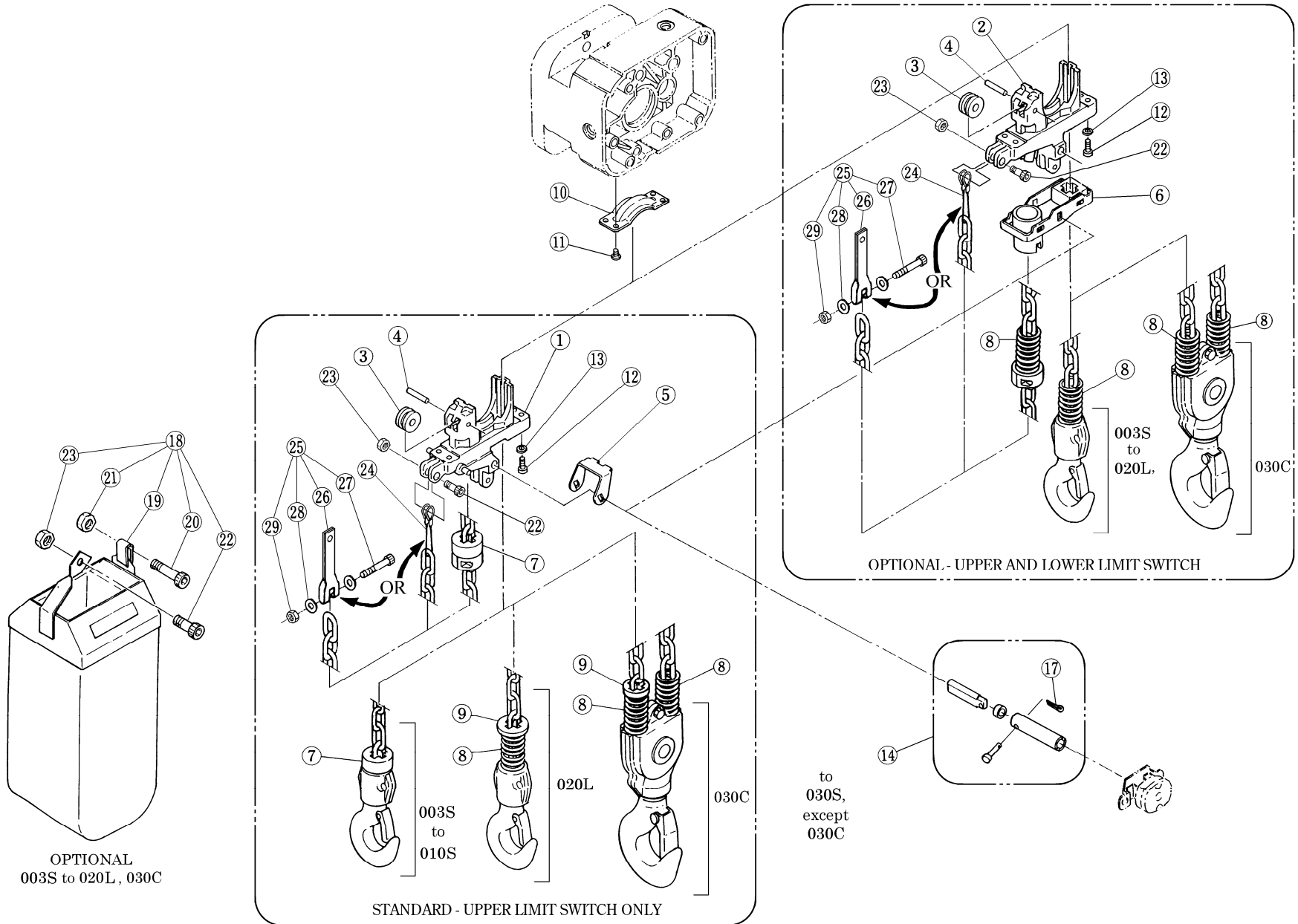


Figure 10-4 Chaining Parts

Fig No	Part Name	Parts Per Hoist		003S	005L	005S	010L	010S	020L	030C	
1	Chain Guide A	U	1	ER1BS9331	ER1BL9331	ER1CS1331	ER1CL1331	ER1DS1331	ER1DL1331		
2	Chain Guide AL	U/L	1	ER1BS9330	ER1BL9330	ER1CS9330	ER1CL9330	ER1DS9330	ER1DL9330		
3	Guide Roller		1			ES403005S	ER1DS9333		ER1DL9333		
4	Roller Pin		1			ER1CS9334		ER1DS9334	ER1DL9334		
5	Limit Lever S	U	1	ER1BS9337		ER1CS9337		ER1DS9337			
6	Limit Lever Assembly	U/L	1	ER1BS5335	ER1BL5335	ER1CS5335	ER1CL5335	ER1DS5335	ER1DL5335		
7	Cushion Rubber	U	(x)	ER1BS9053 (2)	ER1CS9053 (2)		ER1DS9053 (2)		ER1ES9053 (1)		
8	Chain Spring	U	(x)						ES047015 (1)	ER1DL9051 (2)	
		U/L	(x)	ES047D003 (2)	ES047A005 (2)		ER1DS9051 (2)		ES047015 (2)	ER1DL9051 (3)	
9	Limit Lever Striker	U	1						ER1ES9054		
10	Chain Guide B		1	ER1BS9332	ER1BL9332	ER1CS9332	ER1CL9332	ER1DS9332	ER1DL9332		
11	Mach. Screw w/Spring Washer		4			M6F554010					
12	Socket Bolt		4	90912138		9091254		9091277			
13	Spring Washer		4	9012709					9012711		
14	Limit Lever Pin Assembly		1	ER1BS1338		ER1CS1338		ER1DS1338			
17	Split Pin		1	9009410							
18	Chain Container Kit		1	BKB1		BKC1		BKD1			
19	Chain Container Assembly		1	ER1BS6403		ER1CS6404		ER1DS6405			
20	Socket Bolt		1	ER419001							
21	Lever Nut		1	ES855003							
22	Socket Bolt		1	ER414001							
23	Lever Nut		1	ES857005S							
24	End Wire		1	ER1BS9408				ER1DS9408			
25	End Suspender Assembly		1	ENDSUSB		ENDSUSCD				ENDSUSDR	
26	End Suspender		1	ER1BS9408R2							ER1DR9408
27	Socket Bolt		1	9091255		ER414001				J1BE0803518	
28	Flat Washer		2	J1WD01100060							
29	Lever Nut		1	ES855003		ES857005S					

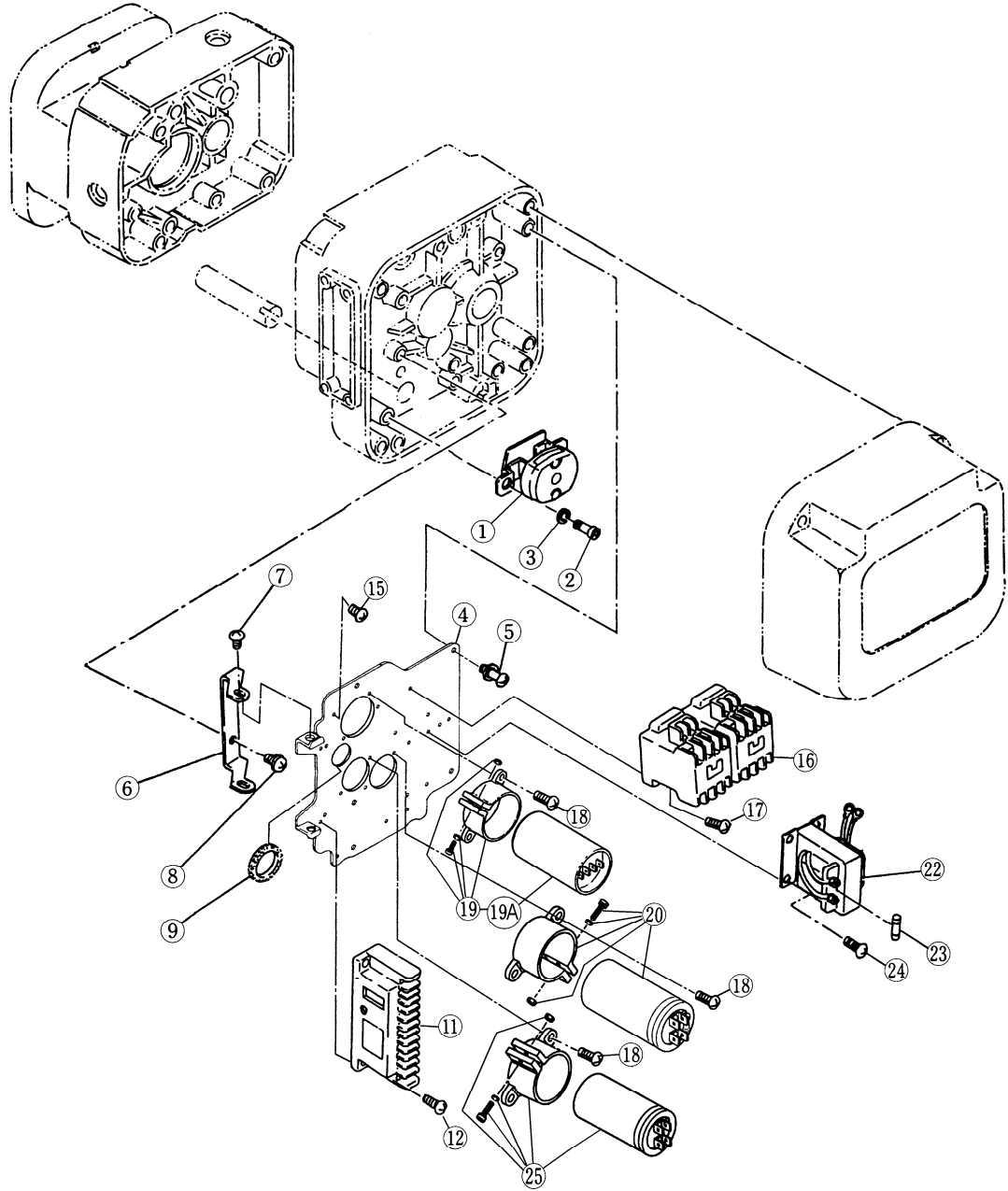


Figure 10-5 Electric Parts

Fig No	Part Name	Parts Per Hoist		003S	005L	005S	010L	010S	020L	030C	
		U	1								
1	Limit Switch Assembly	U	1	ER1BS1551							
		U/L	1	ER1BS2551							
2	Socket Bolt		3	9091247							
3	Spring Washer		3	9012709							
4	Plate		1	EP1BS9441		EP1CS9441		EP1DS9441			
5	Plate Screw		3	ER1BS9445							
6	Hinge		1	ER1BS9442		ER1CS9442		ER1DS9442			
7	Hinge Screw		2	ER1BS9443							
8	Mach. Screw w/Spring Washer		2	E6F151003							
9	Bushing		1	ECP99JBAA				ECP99JBAB			
11	Terminal Plate, 14P		1	ECP1314AA							
12	Mach. Screw w/Spring Washer		2	MS555010							
15	Mach. Screw w/Spring Washer		3	MS555010							
16	Electromagnetic Contactor		1	MGC23306D		MGC23306B					
17	Mach. Screw w/Spring Washer		(x)	MS556010 (2)		MS556010 (4)					
18	Mach. Screw w/Spring Washer		(x)	J1AW24001010 (4)				J1AW24001010 (6)			
19	Starter Switch Assembly		1	EP1BS2472		EP1CS2472					
19A	Start Switch Only		1	9014201		9014202					
20	Capacitor Assembly w/ Resistor		1	EP1BS2473		EP1CS2473		EP1BS2473			
22	Transformer - Primary = 115/230V - Secondary = 110V		1	TRF62F601							
23	Fuse - Trans. Secondary = 110V		1	9006271							
24	Mach. Screw w/Spring Washer		4	MS555010							
25	Capacitor Assembly		1					EP1DS5480			

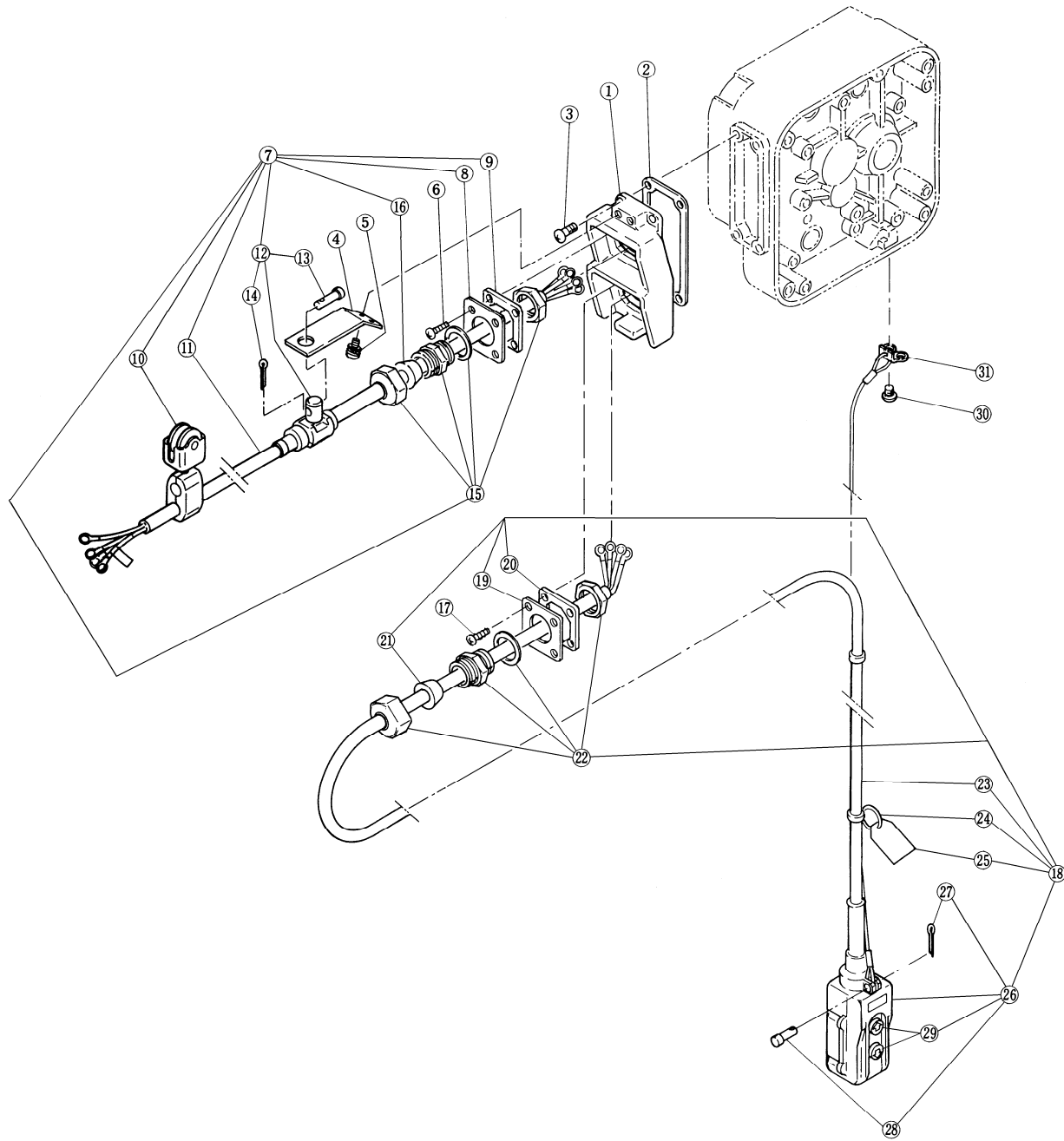


Figure 10-6 Power Supply and Pendant Parts



Fig No	Part Name	Parts Per Hoist	003S	005L	005S	010L	010S	020L	030C
1	Socket Holder	1				ER1BS9513			
2	Socket Holder Packing	1				ER1BS9512			
3	Machine Screw with Spring Washer	4				ES656003			
4	Cable Support Arm	1				ER1BS9541			
5	Machine Screw with Spring Washer	2				ES650005S			
6	Tapping Machine Screw	4				ER1BS9517			
7	Power Supply Cable 3C Complete Set	1	EP1BS1521				EP1CS1521		
8	Holder Plate	1				ECP5924AI			
9	Plate Packing	1				ECP5924AJ			
10	Cable Hanger 14 Assembly	2				ES1527003			
11	Power Supply Cable	1	14/4				12/4		
12	Cable Support Assembly	1	ES822003				M3ES0101724		
13	Cable Support Pin B	1				ESES002-9541			
14	Split Pin	1				9009402			
15	Cable Holder A Assembly	1				60704			
16	Cord Packing	1	ECP6914AA				ECP6916AA		
17	Tapping Machine Screw	4				ER1BS9517			
18	Push Button Cord Assembly	1				EP1BS1557			EP1DR1557
19	Holder Plate	1				ECP5924AI			
20	Plate Packing	1				ECP5924AJ			
21	Cord Packing	1				ECP6912AA			
22	Cable Holder A Assembly	1				60704			
23	Push Button Cord	1				16/3			
24	Tag Holder	1				E3S787003			
25	Warning Tag LD	1				WTAG7			
26	2 Push Button Switch	1				ES1615S003			
27	Split Pin	1				9009402			
28	Cord chain Pin B	1				ES628003			
29	Arrow Set	1				ARROWS			
30	Machine Screw with Spring Washer	1				M6F554010			
31	Cord Support Wire Stopper	1				ER1BS9535			